



Forming Taps for Stainless Steel and Aluminium Alloys

M-NRT

Volume 1



KEY FEATURES : M-NRT



1 Low-torque spec with specially designed threading for Inox and aluminum

2 TiN coating

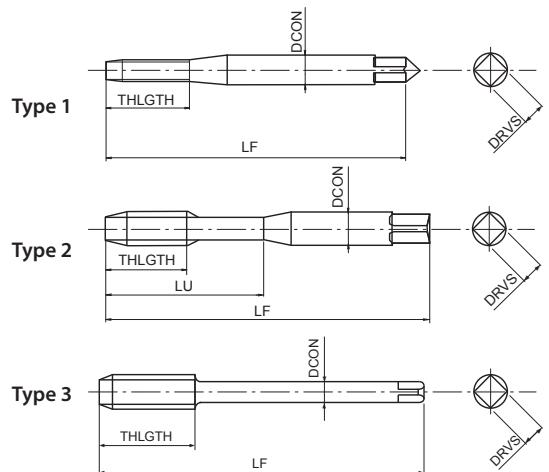
3 High wear resistance. Powder Metallurgy HSS.

M-NRT NEW

Threading | Forming taps | Metric



- Powder metal forming tap for through and blind holes
- TiN coating
- For general steels, stainless steels and aluminium



| | | | | | | | |
|----------------------|----------------------------|-----------------------|-----------------|------------------|----------------|---------------------|-------|
| P C < 0,2% | P 0,25 < C < 0,4 | P C ≥ 0,45% | P SCM | M INOX | N Al | N AC, ADC | |
| 20-30 | 20-30 | 15-30 | 10-20 | 6-12 | 10-25 | 15-40 | m/min |

| | | | | | | | | | |
|----------|-----------|------------|------------------|--------------|--|--|--|-----------------|-----------------|
| M | PM | TiN | ISO 2 6HX | C/2,5 | | | | DIN 2174 | DIN 2174 |
|----------|-----------|------------|------------------|--------------|--|--|--|-----------------|-----------------|

| EDP | TD | TP | LF | THLGTH | LU | DCON | DRVS | NOF | PHD | Type | DIN |
|-----------|-----|------|-----|--------|----|------|------|-----|-------|------|------|
| EP0203111 | 1 | 0,25 | 40 | 5,5 | - | 2,5 | 2,1 | 3 | 0,89 | 1 | 2174 |
| EP0203115 | 1,4 | 0,3 | 40 | 7 | - | 2,5 | 2,1 | 3 | 1,27 | 1 | 2174 |
| EP0203118 | 1,6 | 0,35 | 40 | 8 | - | 2,5 | 2,1 | 3 | 1,44 | 1 | 2174 |
| EP0203125 | 2 | 0,4 | 45 | 9 | - | 2,8 | 2,1 | 3 | 1,82 | 1 | 2174 |
| EP0203133 | 2,5 | 0,45 | 50 | 9 | 14 | 2,8 | 2,1 | 4 | 2,3 | 2 | 2174 |
| EP0203138 | 3 | 0,5 | 56 | 10 | 18 | 3,5 | 2,7 | 4 | 2,8 | 2 | 2174 |
| EP0203142 | 3,5 | 0,6 | 56 | 11 | 20 | 4 | 3 | 4 | 3,25 | 2 | 2174 |
| EP0203144 | 4 | 0,7 | 63 | 12 | 21 | 4,5 | 3,4 | 4 | 3,7 | 2 | 2174 |
| EP0203147 | 4,5 | 0,75 | 70 | 14 | 25 | 6 | 4,9 | 4 | 4,15 | 2 | 2174 |
| EP0203149 | 5 | 0,8 | 70 | 14 | 25 | 6 | 4,9 | 5 | 4,65 | 2 | 2174 |
| EP0203152 | 5,5 | 0,9 | 80 | 14 | 30 | 6 | 4,9 | 5 | 5,1 | 2 | 2174 |
| EP0203155 | 6 | 1 | 80 | 16 | 30 | 6 | 4,9 | 5 | 5,55 | 2 | 2174 |
| EP0203158 | 7 | 1 | 80 | 16 | 30 | 7 | 5,5 | 5 | 6,55 | 2 | 2174 |
| EP0203161 | 8 | 1,25 | 90 | 18 | 35 | 8 | 6,2 | 5 | 7,45 | 2 | 2174 |
| EP0203165 | 9 | 1,25 | 90 | 18 | 35 | 9 | 7 | 5 | 8,45 | 2 | 2174 |
| EP0203169 | 10 | 1,5 | 100 | 20 | 39 | 10 | 8 | 5 | 9,35 | 2 | 2174 |
| EP0203175 | 11 | 1,5 | 100 | 22 | - | 8 | 6,2 | 5 | 10,35 | 3 | 2174 |
| EP0203179 | 12 | 1,75 | 110 | 24 | - | 9 | 7 | 5 | 11,2 | 3 | 2174 |
| EP0203191 | 14 | 2 | 110 | 25 | - | 11 | 9 | 6 | 13,1 | 3 | 2174 |
| EP0203202 | 16 | 2 | 110 | 27 | - | 12 | 9 | 6 | 15,1 | 3 | 2174 |
| EP0203214 | 18 | 2,5 | 125 | 32 | - | 14 | 11 | 7 | 16,8 | 3 | 2174 |
| EP0203228 | 20 | 2,5 | 140 | 32 | - | 16 | 12 | 7 | 18,8 | 3 | 2174 |
| EP0203238 | 22 | 2,5 | 140 | 32 | - | 18 | 14,5 | 7 | 20,8 | 3 | 2174 |
| EP0203247 | 24 | 3 | 160 | 36 | - | 18 | 14,5 | 7 | 22,6 | 3 | 2174 |

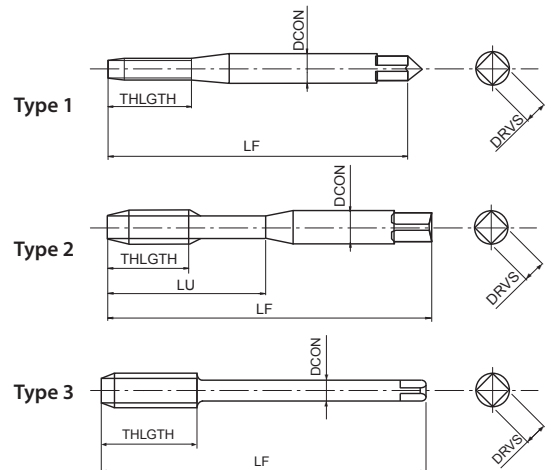


M-NRT 6GX NEW

Threading | Forming taps | Metric



- Powder metal forming tap for through and blind holes
- TiN coating
- For general steels, stainless steels and aluminium
- For 6G internal thread tolerance



| | | | | | | | |
|----------------------|----------------------------|-----------------------|-----------------|------------------|----------------|---------------------|-------|
| P C < 0,2% | P 0,25 < C < 0,4 | P C ≥ 0,45% | P SCM | M INOX | N Al | N AC, ADC | |
| 20-30 | 20-30 | 15-30 | 10-20 | 6-12 | 10-25 | 15-40 | m/min |

| | | | | | | | | |
|----------|-----------|------------|------------------|--------------|--|--|-----------------|-----------------|
| M | PM | TiN | ISO 3 6GX | C/2,5 | | | DIN 2174 | DIN 2174 |
|----------|-----------|------------|------------------|--------------|--|--|-----------------|-----------------|

| EDP | TD | TP | Oversize | LF | THLGTH | LU | DCON | DRVS | NOF | PHD | Type | DIN |
|-----------|-----|------|----------|-----|--------|----|------|------|-----|------|------|------|
| EP0204125 | 2 | 0,4 | 0,0190 | 45 | 9 | - | 2,8 | 2,1 | 3 | 1,82 | 1 | 2174 |
| EP0204133 | 2,5 | 0,45 | 0,0200 | 50 | 9 | 14 | 2,8 | 2,1 | 4 | 2,3 | 2 | 2174 |
| EP0204138 | 3 | 0,5 | 0,0200 | 56 | 10 | 18 | 3,5 | 2,7 | 4 | 2,8 | 2 | 2174 |
| EP0204142 | 3,5 | 0,6 | 0,0210 | 56 | 11 | 20 | 4 | 3 | 4 | 3,25 | 2 | 2174 |
| EP0204144 | 4 | 0,7 | 0,0220 | 63 | 12 | 21 | 4,5 | 3,4 | 4 | 3,7 | 2 | 2174 |
| EP0204149 | 5 | 0,8 | 0,0240 | 70 | 14 | 25 | 6 | 4,9 | 5 | 4,65 | 2 | 2174 |
| EP0204155 | 6 | 1 | 0,0260 | 80 | 16 | 30 | 6 | 4,9 | 5 | 5,55 | 2 | 2174 |
| EP0204161 | 8 | 1,25 | 0,0280 | 90 | 18 | 35 | 8 | 6,2 | 5 | 7,45 | 2 | 2174 |
| EP0204169 | 10 | 1,5 | 0,0320 | 100 | 20 | 39 | 10 | 8 | 5 | 9,35 | 2 | 2174 |
| EP0204179 | 12 | 1,75 | 0,0340 | 110 | 24 | - | 9 | 7 | 5 | 11,2 | 3 | 2174 |
| EP0204191 | 14 | 2 | 0,0380 | 110 | 25 | - | 11 | 9 | 6 | 13,1 | 3 | 2174 |
| EP0204202 | 16 | 2 | 0,0380 | 110 | 27 | - | 12 | 9 | 6 | 15,1 | 3 | 2174 |

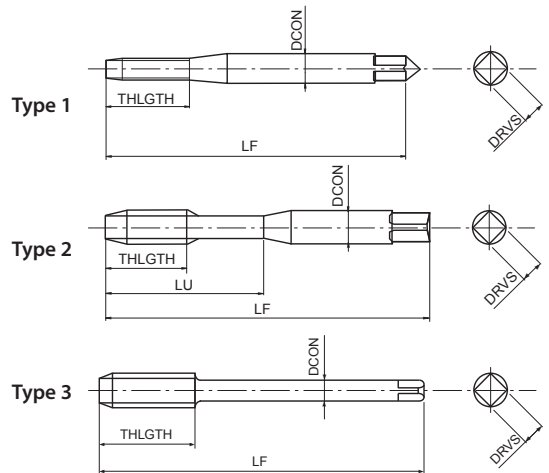


M-NRT FORM E NEW

Threading | Forming taps | Metric



- Powder metal forming tap for through and blind holes
- TiN coating
- For general steels, stainless steels and aluminium
- Chamfer Form E



Threading | Forming taps

| | | | | | | | |
|----------------------|---------------------------|--------------------------|--------------|---------------|-------------|------------------|-------|
| P $C < 0,2\%$ | P $0,25 < C < 0,4$ | P $C \geq 0,45\%$ | P SCM | M INOX | N AI | N AC, ADC | |
| 20-30 | 20-30 | 15-30 | 10-20 | 6-12 | 10-25 | 15-40 | m/min |

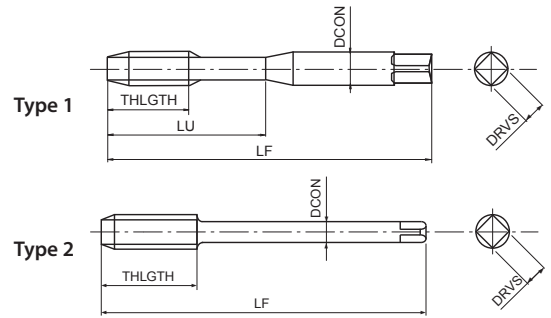
| | | | | | | | | |
|----------|-----------|------------|------------------|--|--|--|-----------------|-----------------|
| M | PM | TiN | ISO 2 6HX | | | | DIN 2174 | DIN 2174 |
|----------|-----------|------------|------------------|--|--|--|-----------------|-----------------|

| EDP | TD | TP | LF | THLGTH | LU | DCON | DRVS | NOF | PHD | Type | DIN |
|-----------|-----|------|-----|--------|----|------|------|-----|------|------|------|
| EP0205125 | 2 | 0,4 | 45 | 9 | - | 2,8 | 2,1 | 3 | 1,82 | 1 | 2174 |
| EP0205133 | 2,5 | 0,45 | 50 | 9 | 14 | 2,8 | 2,1 | 4 | 2,3 | 2 | 2174 |
| EP0205138 | 3 | 0,5 | 56 | 10 | 18 | 3,5 | 2,7 | 4 | 2,8 | 2 | 2174 |
| EP0205142 | 3,5 | 0,6 | 56 | 11 | 20 | 4 | 3 | 4 | 3,25 | 2 | 2174 |
| EP0205144 | 4 | 0,7 | 63 | 12 | 21 | 4,5 | 3,4 | 4 | 3,7 | 2 | 2174 |
| EP0205149 | 5 | 0,8 | 70 | 14 | 25 | 6 | 4,9 | 5 | 4,65 | 2 | 2174 |
| EP0205155 | 6 | 1 | 80 | 16 | 30 | 6 | 4,9 | 5 | 5,55 | 2 | 2174 |
| EP0205161 | 8 | 1,25 | 90 | 18 | 35 | 8 | 6,2 | 5 | 7,45 | 2 | 2174 |
| EP0205169 | 10 | 1,5 | 100 | 20 | 39 | 10 | 8 | 5 | 9,35 | 2 | 2174 |
| EP0205179 | 12 | 1,75 | 110 | 24 | - | 9 | 7 | 5 | 11,2 | 3 | 2174 |
| EP0205191 | 14 | 2 | 110 | 25 | - | 11 | 9 | 6 | 13,1 | 3 | 2174 |
| EP0205202 | 16 | 2 | 110 | 27 | - | 12 | 9 | 6 | 15,1 | 3 | 2174 |

Metric

M-NRT NEW

Threading | Forming taps | Metric Fine



- Powder metal forming tap for through and blind holes
- TiN coating
- For general steels, stainless steels and aluminium

Threading | Forming taps

| | | | | | | | |
|----------|----------------|-----------|----------|----------|----------|----------|-------|
| P | P | P | P | M | N | N | |
| C < 0,2% | 0,25 < C < 0,4 | C ≥ 0,45% | SCM | INOX | Al | AC, ADC | m/min |
| 20-30 | 20-30 | 15-30 | 10-20 | 6-12 | 10-25 | 15-40 | |

| | | | | | | | | |
|-----------|-----------|------------|------------------|-------|--|--|----------|----------|
| MF | PM | TiN | ISO 2 6HX | | | | | |
| | | | | C/2,5 | | | DIN 2174 | DIN 2174 |

| EDP | TD | TP | LF | THLGTH | LU | DCON | DRVS | NOF | PHD | Type | DIN |
|-----------|----|------|-----|--------|----|------|------|-----|-------|------|------|
| EP0203145 | 4 | 0,5 | 63 | 8 | 21 | 4,5 | 3,4 | 4 | 3,8 | 1 | 2174 |
| EP0203151 | 5 | 0,5 | 70 | 9 | 25 | 6 | 4,9 | 5 | 4,8 | 1 | 2174 |
| EP0203157 | 6 | 0,5 | 80 | 10 | 30 | 6 | 4,9 | 5 | 5,8 | 1 | 2174 |
| EP0203156 | 6 | 0,75 | 80 | 14 | 30 | 6 | 4,9 | 5 | 5,65 | 1 | 2174 |
| EP0203160 | 7 | 0,75 | 80 | 14 | 30 | 7 | 5,5 | 5 | 6,65 | 1 | 2174 |
| EP0203164 | 8 | 0,5 | 80 | 10 | 35 | 8 | 6,2 | 5 | 7,775 | 1 | 2174 |
| EP0203163 | 8 | 0,75 | 80 | 14 | 35 | 8 | 6,2 | 5 | 7,65 | 1 | 2174 |
| EP0203162 | 8 | 1 | 90 | 18 | 35 | 8 | 6,2 | 5 | 7,55 | 1 | 2174 |
| EP0203171 | 10 | 1 | 90 | 18 | 39 | 10 | 8 | 5 | 9,55 | 1 | 2174 |
| EP0203170 | 10 | 1,25 | 100 | 20 | 39 | 10 | 8 | 5 | 9,45 | 1 | 2174 |
| EP0203182 | 12 | 1 | 100 | 22 | - | 9 | 7 | 5 | 11,55 | 2 | 2174 |
| EP0203181 | 12 | 1,25 | 100 | 22 | - | 9 | 7 | 5 | 11,45 | 2 | 2174 |
| EP0203180 | 12 | 1,5 | 100 | 22 | - | 9 | 7 | 5 | 11,35 | 2 | 2174 |
| EP0203194 | 14 | 1 | 100 | 22 | - | 11 | 9 | 6 | 13,55 | 2 | 2174 |
| EP0203193 | 14 | 1,25 | 100 | 22 | - | 11 | 9 | 6 | 13,45 | 2 | 2174 |
| EP0203192 | 14 | 1,5 | 100 | 22 | - | 11 | 9 | 6 | 13,35 | 2 | 2174 |
| EP0203204 | 16 | 1 | 100 | 20 | - | 12 | 9 | 6 | 15,55 | 2 | 2174 |
| EP0203203 | 16 | 1,5 | 100 | 20 | - | 12 | 9 | 6 | 15,35 | 2 | 2174 |
| EP0203218 | 18 | 1 | 110 | 25 | - | 14 | 11 | 7 | 17,55 | 2 | 2174 |
| EP0203216 | 18 | 1,5 | 110 | 25 | - | 14 | 11 | 7 | 17,35 | 2 | 2174 |
| EP0203232 | 20 | 1 | 125 | 25 | - | 16 | 12 | 7 | 19,55 | 2 | 2174 |
| EP0203230 | 20 | 1,5 | 125 | 25 | - | 16 | 12 | 7 | 19,35 | 2 | 2174 |
| EP0203240 | 22 | 1,5 | 125 | 25 | - | 18 | 14,5 | 7 | 21,35 | 2 | 2174 |
| EP0203250 | 24 | 1,5 | 140 | 28 | - | 18 | 14,5 | 7 | 23,35 | 2 | 2174 |

Metric Fine

SWEDEN

Branch office of OSG SCANDINAVIA
Singelgatan 7
212 28 Malmö
Sweden
Tel: +46 40 41 22 55
osg@osg-scandinavia.com

OSG SCANDINAVIA

(For Scandinavian countries)
Langebjergvaenget 16
4000 Roskilde
Denmark
Tel: +45 46 75 65 55
osg@osg-scandinavia.com

OSG NETHERLANDS

Bedrijfsweg 5
3481 MG Harmelen
The Netherlands
Tel: +31 348 44 2764
info@osg-nl.com

OSG UK

Kelsey Close, Attleborough Fields Ind Est,
CV11 6RS, Nuneaton
United Kingdom
Tel: +44 (0) 1827 720 013
uk_sales@osg-uk.com

OSG EUROPE LOGISTICS

Avenue Lavoisier 1
B-1300 Z.I. Wavre - Nord
Belgium
Tel: +32 10 23 05 07
info@osgeurope.com

OSG BELUX

Avenue Lavoisier 1
B-1300 Z.I. Wavre - Nord
Belgium
Tel: +32 10 23 05 11
info@osg-belgium.com

OSG IBÉRICA

Bekolarra 4
E - 01010 Vitoria-Gasteiz
Spain
Tel: +34 945 242 400
osg.iberica@osg-ib.com

OSG FRANCE

Parc Icade, Paris Nord 2
Immeuble "Le Rimbaud"
22 Avenue des Nations
CS66191 - 93420 Villepinte
France
Tel: +33 1 49 90 10 10
sales@osg-france.com

OSG ITALY

Via Ferrero, 65 A/B
I - 10098 Rivoli
Italy
Tel: +39 0117705211
info@osg-italia.it



OSG IN EUROPE

CZECH REPUBLIC, SLOVAKIA, HUNGARY

OSG Europe Logistics S.A.
Slovakia, organizačná zložka
Račianska 22/A, Bratislava 831 02
Slovakia
Tel.: +421 24 32 91 295
info@osgeurope.com

OSG POLAND

ul. Spółdzielcza 57
05-074 Halinów
Polska
Tel: +22 760 82 71
Mob. +48 570 677 711
osg@osg-poland.com

OSG ROMANIA SRL

25C, Bucuresti-Magurele Street (Sector 5)
051431 Bucuresti
România
Tel: +40 21 322 07 47
info@osgromania.ro

OSG TURKEY

Rami Kişla Cad.No:56 Eyüp
Istanbul 34056
Turkey
Tel: +90 212 565 24 00
Fax: +90 212 565 44 00
info@osg-turkey.com

Vischer & Bolli AG

Machining and Workholding
Im Schossacher 17
CH-8600 Dübendorf
Switzerland
Tel.: +41 44 802 15 15
info@vb-tools.com

OSG GERMANY

Karl-Ehmann-Str. 25
D - 73037 Göppingen
Germany
Tel: +49 7161 6064 - 0
Fax: +49 7161 6064 - 444
info@osg-germany.de



shaping your dreams

OSG EUROPE LOGISTICS

Avenue Lavoisier 1
B-1300 Z.I. Wavre - Nord - Belgium
Tel: +32 10 23 05 07
info@osgeurope.com

OSG POLAND Sp. z o.o.

Spółdzielcza 57
05-074 Halinów - Poland
Tel: +22 760 82 71
osg@osg-poland.com

OSG ROMANIA SRL

25C, Bucuresti-Magurele Street (Sector 5)
051431 Bucuresti - România
Tel: +40 21 322 07 47
info@osgromania.ro

OSG BELUX

Avenue Lavoisier 1
B-1300 Z.I. Wavre - Nord - Belgium
Tel: +32 10 23 05 11
info@osg-belgium.com

OSG GERMANY

Karl-Ehmann-Str. 25
D - 73037 Göppingen - Germany
Tel: +49 7161 6064 - 0
Fax: +49 7161 6064 - 444
info@osg-germany.de

AUSTRIA

Branch office of OSG GERMANY
Messestraße 11
A-6850 Dornbirn
Tel: +49 7161 6064-0
info@osg-germany.de

OSG FRANCE

Parc Icade, Paris Nord 2
Immeuble "Le Rimbaud"
22 Avenue des Nations
CS66191 - 93420 Villepinte - France
Tel: +33 1 49 90 10 10
sales@osg-france.com

OSG SCANDINAVIA

(For Scandinavian countries)
Langebjergvaenget 16
4000 Roskilde - Denmark
Tel: +45 46 75 65 55
osg@osg-scandinavia.com

OSG ITALIA

Via Ferrero, 65 A/B3
I - 10098 Rivoli - Italy
Tel: +39 0117705211
info@osg-italia.it

OSG NETHERLANDS

Bedrijfsweg 5 - 3481 MG Harmelen
Tel: +31 348 44 2764
info@osg-nl.com

SWEDEN

Branch office of OSG SCANDINAVIA
Singelgatan 7
212 28 Malmö - Sweden
Tel: +46 40 41 22 55
osg@osg-scandinavia.com

Vischer & Bolli AG

Machining and Workholding
Im Schossacher 17
CH-8600 Dübendorf
T +41 44 802 15 15
info@vb-tools.com

OSG UK

Kelsey Close, Attleborough Fields Ind Est,
CV11 6RS, Nuneaton, United Kingdom.
Tel: +44 1827 720 013
uk_sales@osg-uk.com

OSG IBERICA

Bekolarra 4
E - 01010 Vitoria-Gasteiz - Spain
Tel: +34 945 242 400
osg.iberica@osg-ib.com

CZECH, SLOVAKIA, HUNGARY

OSG Europe Logistics S.A.
Slovakia organizacna zlozka
Racianská 22/A, SK-83102 Bratislava
Slovakia
Tel. +421 24 32 91 295
Orders-osgsvk@osgeurope.com

OSG TURKEY

Rami Kışla Cad.No:56 Eyüp
Istanbul 34056 - Turkey
Tel+90 212 565 24 00
Fax: +90 212 565 44 00
info@osg-turkey.com

OSG EUROPE LOGISTICS S.A.

10/2021 - All rights reserved. © OSG Europe 2021.

The contents of this catalogue are provided to you for viewing only. They are not intended for reproduction either in part or in whole in this or other medium. They cannot be copied, used to create derivation work or used for any reason, by means without the express, written permission of the copyright owner. If prices are stated, they are netto unit-prices and any eventual tax(es) have to be added. The company is not responsible for any printing error in technical, price and/or any other data.

Tool specifications subject to change without notice.

www.osgeurope.com

