



Forming Taps for Stainless Steel and Aluminium Alloys

# M-NRT

Volume 1



## KEY FEATURES : M-NRT

---



**1** Low-torque spec with specially designed threading for Inox and aluminum

**2** TiN coating

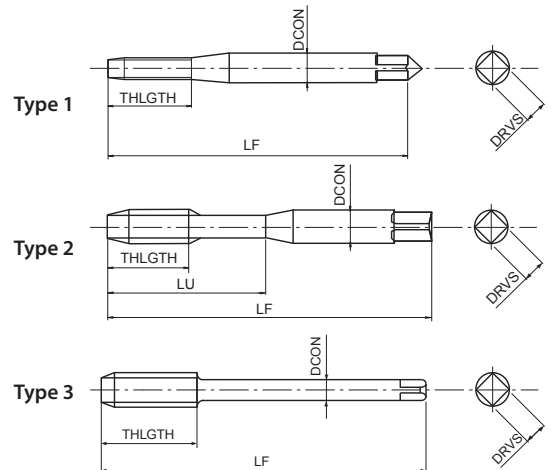
**3** High wear resistance.  
Powder Metallurgy HSS.

# M-NRT NEW

Threading | Forming taps | Metric



- Powder metal forming tap for through and blind holes
- TiN coating
- For general steels, stainless steels and aluminium



<b>P</b> C < 0,2%	<b>P</b> 0,25 < C < 0,4	<b>P</b> C ≥ 0,45%	<b>P</b> SCM	<b>M</b> INOX	<b>N</b> Al	<b>N</b> AC, ADC	
20-30	20-30	15-30	10-20	6-12	10-25	15-40	m/min

<b>M</b>	<b>PM</b>	<b>TiN</b>	<b>ISO 2 6HX</b>	<b>C/2,5</b>				<b>DIN 2174</b>	<b>DIN 2174</b>
----------	-----------	------------	------------------	--------------	--	--	--	-----------------	-----------------

EDP	TD	TP	LF	THLGTH	LU	DCON	DRVS	NOF	PHD	Type	DIN
EP0203111	1	0,25	40	5,5	-	2,5	2,1	3	0,89	1	2174
EP0203115	1,4	0,3	40	7	-	2,5	2,1	3	1,27	1	2174
EP0203118	1,6	0,35	40	8	-	2,5	2,1	3	1,44	1	2174
EP0203125	2	0,4	45	9	-	2,8	2,1	3	1,82	1	2174
EP0203133	2,5	0,45	50	9	14	2,8	2,1	4	2,3	2	2174
EP0203138	3	0,5	56	10	18	3,5	2,7	4	2,8	2	2174
EP0203142	3,5	0,6	56	11	20	4	3	4	3,25	2	2174
EP0203144	4	0,7	63	12	21	4,5	3,4	4	3,7	2	2174
EP0203147	4,5	0,75	70	14	25	6	4,9	4	4,15	2	2174
EP0203149	5	0,8	70	14	25	6	4,9	5	4,65	2	2174
EP0203152	5,5	0,9	80	14	30	6	4,9	5	5,1	2	2174
EP0203155	6	1	80	16	30	6	4,9	5	5,55	2	2174
EP0203158	7	1	80	16	30	7	5,5	5	6,55	2	2174
EP0203161	8	1,25	90	18	35	8	6,2	5	7,45	2	2174
EP0203165	9	1,25	90	18	35	9	7	5	8,45	2	2174
EP0203169	10	1,5	100	20	39	10	8	5	9,35	2	2174
EP0203175	11	1,5	100	22	-	8	6,2	5	10,35	3	2174
EP0203179	12	1,75	110	24	-	9	7	5	11,2	3	2174
EP0203191	14	2	110	25	-	11	9	6	13,1	3	2174
EP0203202	16	2	110	27	-	12	9	6	15,1	3	2174
EP0203214	18	2,5	125	32	-	14	11	7	16,8	3	2174
EP0203228	20	2,5	140	32	-	16	12	7	18,8	3	2174
EP0203238	22	2,5	140	32	-	18	14,5	7	20,8	3	2174
EP0203247	24	3	160	36	-	18	14,5	7	22,6	3	2174





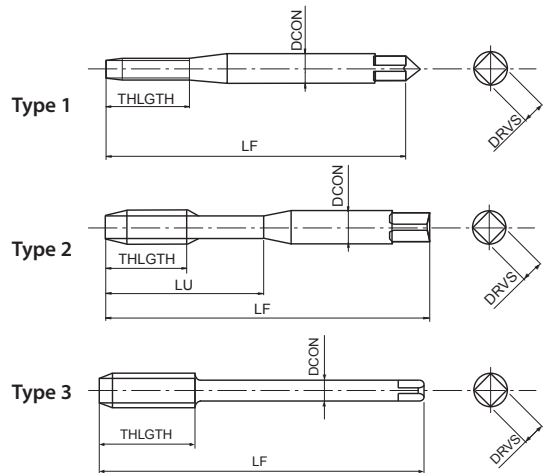


# M-NRT FORM E NEW

Threading | Forming taps | Metric



- Powder metal forming tap for through and blind holes
- TiN coating
- For general steels, stainless steels and aluminium
- Chamfer Form E



Threading | Forming taps

<b>P</b> C < 0,2%	<b>P</b> 0,25 < C < 0,4	<b>P</b> C ≥ 0,45%	<b>P</b> SCM	<b>M</b> INOX	<b>N</b> Al	<b>N</b> AC, ADC	
20-30	20-30	15-30	10-20	6-12	10-25	15-40	m/min

<b>M</b>	<b>PM</b>	<b>TiN</b>	<b>ISO 2 6HX</b>	<b>E/1,5</b>			<b>DIN 2174</b>	<b>DIN 2174</b>
----------	-----------	------------	------------------	--------------	--	--	-----------------	-----------------

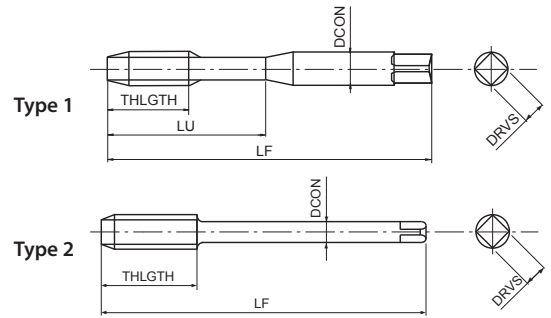
EDP	TD	TP	LF	THLGTH	LU	DCON	DRVS	NOF	PHD	Type	DIN
EP0205125	2	0,4	45	9	-	2,8	2,1	3	1,82	1	2174
EP0205133	2,5	0,45	50	9	14	2,8	2,1	4	2,3	2	2174
EP0205138	3	0,5	56	10	18	3,5	2,7	4	2,8	2	2174
EP0205142	3,5	0,6	56	11	20	4	3	4	3,25	2	2174
EP0205144	4	0,7	63	12	21	4,5	3,4	4	3,7	2	2174
EP0205149	5	0,8	70	14	25	6	4,9	5	4,65	2	2174
EP0205155	6	1	80	16	30	6	4,9	5	5,55	2	2174
EP0205161	8	1,25	90	18	35	8	6,2	5	7,45	2	2174
EP0205169	10	1,5	100	20	39	10	8	5	9,35	2	2174
EP0205179	12	1,75	110	24	-	9	7	5	11,2	3	2174
EP0205191	14	2	110	25	-	11	9	6	13,1	3	2174
EP0205202	16	2	110	27	-	12	9	6	15,1	3	2174

Metric



# M-NRT NEW

Threading | Forming taps | Metric Fine



- Powder metal forming tap for through and blind holes
- TiN coating
- For general steels, stainless steels and aluminium

Threading | Forming taps

<b>P</b>	<b>P</b>	<b>P</b>	<b>P</b>	<b>M</b>	<b>N</b>	<b>N</b>	
C < 0,2%	0,25 < C < 0,4	C ≥ 0,45%	SCM	INOX	Al	AC, ADC	m/min
20-30	20-30	15-30	10-20	6-12	10-25	15-40	

<b>MF</b>	<b>PM</b>	<b>TiN</b>	<b>ISO 2 6HX</b>	C/2,5			DIN 2174	DIN 2174
-----------	-----------	------------	------------------	-------	--	--	----------	----------

EDP	TD	TP	LF	THLGTH	LU	DCON	DRVS	NOF	PHD	Type	DIN
EP0203145	4	0,5	63	8	21	4,5	3,4	4	3,8	1	2174
EP0203151	5	0,5	70	9	25	6	4,9	5	4,8	1	2174
EP0203157	6	0,5	80	10	30	6	4,9	5	5,8	1	2174
EP0203156	6	0,75	80	14	30	6	4,9	5	5,65	1	2174
EP0203160	7	0,75	80	14	30	7	5,5	5	6,65	1	2174
EP0203164	8	0,5	80	10	35	8	6,2	5	7,775	1	2174
EP0203163	8	0,75	80	14	35	8	6,2	5	7,65	1	2174
EP0203162	8	1	90	18	35	8	6,2	5	7,55	1	2174
EP0203171	10	1	90	18	39	10	8	5	9,55	1	2174
EP0203170	10	1,25	100	20	39	10	8	5	9,45	1	2174
EP0203182	12	1	100	22	-	9	7	5	11,55	2	2174
EP0203181	12	1,25	100	22	-	9	7	5	11,45	2	2174
EP0203180	12	1,5	100	22	-	9	7	5	11,35	2	2174
EP0203194	14	1	100	22	-	11	9	6	13,55	2	2174
EP0203193	14	1,25	100	22	-	11	9	6	13,45	2	2174
EP0203192	14	1,5	100	22	-	11	9	6	13,35	2	2174
EP0203204	16	1	100	20	-	12	9	6	15,55	2	2174
EP0203203	16	1,5	100	20	-	12	9	6	15,35	2	2174
EP0203218	18	1	110	25	-	14	11	7	17,55	2	2174
EP0203216	18	1,5	110	25	-	14	11	7	17,35	2	2174
EP0203232	20	1	125	25	-	16	12	7	19,55	2	2174
EP0203230	20	1,5	125	25	-	16	12	7	19,35	2	2174
EP0203240	22	1,5	125	25	-	18	14,5	7	21,35	2	2174
EP0203250	24	1,5	140	28	-	18	14,5	7	23,35	2	2174

Metric Fine





## SWEDEN

Branch office of OSG SCANDINAVIA  
Singelgatan 7  
212 28 Malmö  
Sweden  
Tel: +46 40 41 22 55  
osg@osg-scandinavia.com

## OSG SCANDINAVIA

(For Scandinavian countries)  
Langebjergvaenget 16  
4000 Roskilde  
Denmark  
Tel: +45 46 75 65 55  
osg@osg-scandinavia.com

## OSG NETHERLANDS

Bedrijfsweg 5  
3481 MG Harmelen  
The Netherlands  
Tel: +31 348 44 2764  
Fax: +31 348 44 2144  
info@osg-nl.com

## OSG UK

Kelsey Close, Attleborough Fields Ind Est,  
CV11 6RS, Nuneaton  
United Kingdom  
Tel: +44 1827 720 013  
sales@osg-uk.com

## OSG EUROPE LOGISTICS

Avenue Lavoisier 1  
B-1300 Z.I. Wavre - Nord  
Belgium  
Tel: +32 10 23 05 07  
Fax: +32 10 23 05 51  
info@osgeurope.com

## OSG BELUX

Avenue Lavoisier 1  
B-1300 Z.I. Wavre - Nord  
Belgium  
Tel: +32 10 23 05 11  
Fax: +32 10 23 05 31  
info@osg-belgium.com

## OSG IBÉRICA

Bekolarra 4  
E - 01010 Vitoria-Gasteiz  
Spain  
Tel: +34 945 242 400  
Fax: +34 945 228 883  
osg.iberica@osg-ib.com

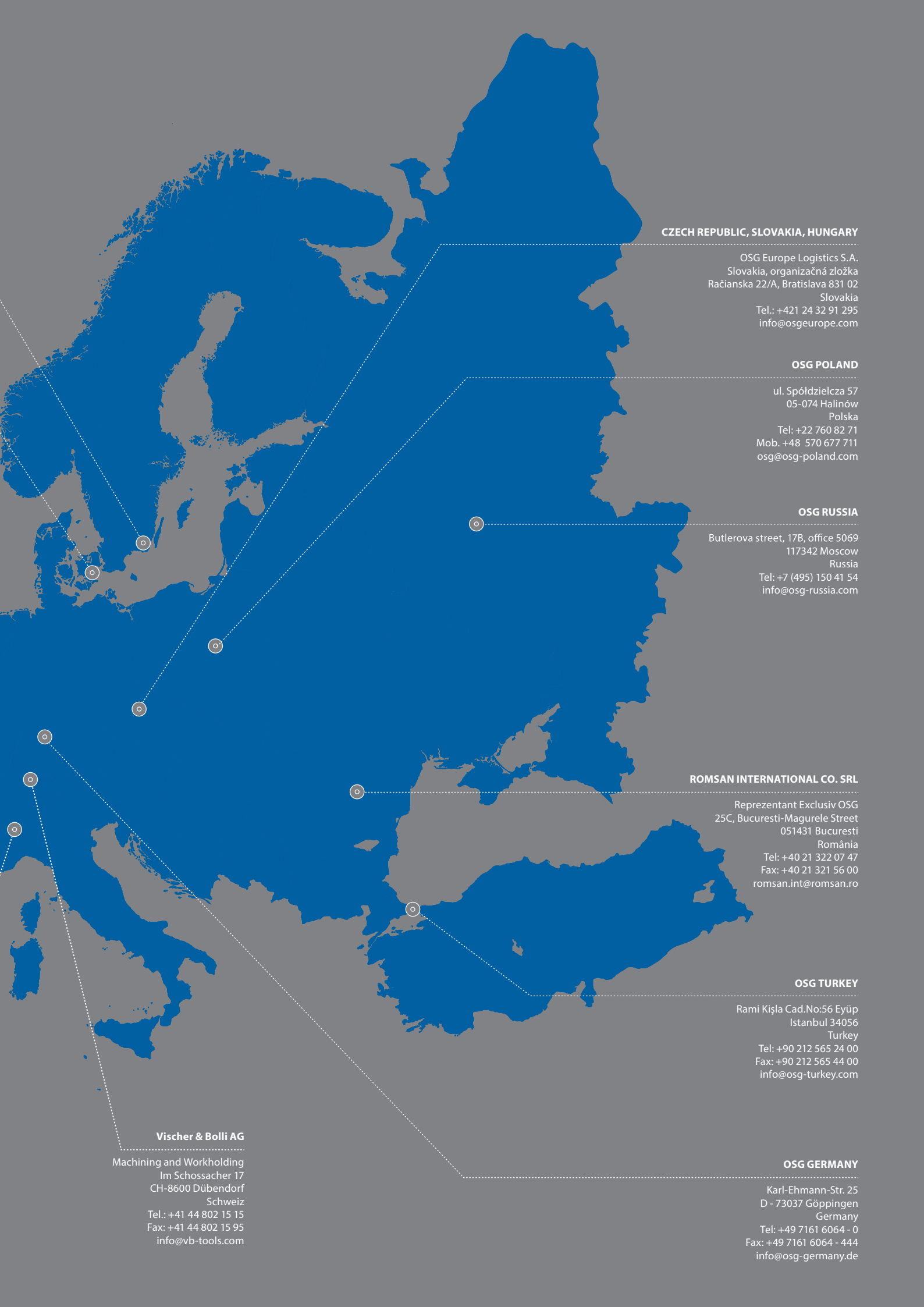
## OSG FRANCE

Parc Icade, Paris Nord 2  
Immeuble "Le Rimbaud"  
22 Avenue des Nations  
CS66191 - 93420 Villepinte  
France  
Tel: +33 1 49 90 10 10  
Fax: +33 1 49 90 10 15  
sales@osg-france.com

## OSG ITALY

Via Ferrero, 65 A/B  
I - 10098 Rivoli  
Italy  
Tel: +39 0117705211  
Fax: +39 0117705215  
info@osg-italia.it





**CZECH REPUBLIC, SLOVAKIA, HUNGARY**

OSG Europe Logistics S.A.  
Slovakia, organizačná zložka  
Račianska 22/A, Bratislava 831 02  
Slovakia  
Tel.: +421 24 32 91 295  
info@osgeurope.com

**OSG POLAND**

ul. Spółdzielcza 57  
05-074 Halinów  
Polska  
Tel: +22 760 82 71  
Mob. +48 570 677 711  
osg@osg-poland.com

**OSG RUSSIA**

Butlerova street, 17B, office 5069  
117342 Moscow  
Russia  
Tel: +7 (495) 150 41 54  
info@osg-russia.com

**ROMSAN INTERNATIONAL CO. SRL**

Reprezentant Exclusiv OSG  
25C, Bucuresti-Magurele Street  
051431 Bucuresti  
România  
Tel: +40 21 322 07 47  
Fax: +40 21 321 56 00  
romsan.int@romsan.ro

**OSG TURKEY**

Rami Kışla Cad.No:56 Eyüp  
Istanbul 34056  
Turkey  
Tel: +90 212 565 24 00  
Fax: +90 212 565 44 00  
info@osg-turkey.com

**Vischer & Bolli AG**

Machining and Workholding  
Im Schossacher 17  
CH-8600 Dübendorf  
Schweiz  
Tel.: +41 44 802 15 15  
Fax: +41 44 802 15 95  
info@vb-tools.com

**OSG GERMANY**

Karl-Ehmann-Str. 25  
D - 73037 Göppingen  
Germany  
Tel: +49 7161 6064 - 0  
Fax: +49 7161 6064 - 444  
info@osg-germany.de



shaping your dreams

#### **OSG EUROPE LOGISTICS**

Avenue Lavoisier 1  
B-1300 Z.I. Wavre - Nord - Belgium  
Tel: +32 10 23 05 07  
Fax: +32 10 23 05 51  
info@osgeurope.com

#### **OSG BELUX**

Avenue Lavoisier 1  
B-1300 Z.I. Wavre - Nord - Belgium  
Tel: +32 10 23 05 11  
Fax: +32 10 23 05 31  
info@osg-belgium.com

#### **OSG FRANCE**

Parc Icade, Paris Nord 2  
Immeuble "Le Rimbaud"  
22 Avenue des Nations  
CS66191 - 93420 Villepinte - France  
Tel: +33 1 49 90 10 10  
Fax: +33 1 49 90 10 15  
sales@osg-france.com

#### **OSG NETHERLANDS**

Bedrijfsweg 5 - 3481 MG Harmelen  
Tel: +31 348 44 2764  
Fax: +31 348 44 2144  
info@osg-nl.com

#### **OSG UK**

Kelsey Close, Attleborough Fields Ind Est,  
CV11 6RS, Nuneaton, United Kingdom.  
Tel: +44 1827 720 013  
uk\_sales@osg-uk.com

#### **CZECH, SLOVAKIA, HUNGARY**

OSG Europe Logistics S.A.  
Slovakia organizacna zlozka  
Racianská 22/A, SK-83102 Bratislava  
Slovakia  
Tel. +421 24 32 91 295  
Orders-osgsvk@osgeurope.com

#### **OSG POLAND Sp. z.o.o.**

Spółdzielcza 57  
05-074 Halinów - Poland  
Tel: +22 760 82 71  
Fax: +22 760 82 71  
osg@osg-poland.com

#### **OSG GERMANY**

Karl-Ehmann-Str. 25  
D - 73037 Göppingen - Germany  
Tel: +49 7161 6064 - 0  
Fax: +49 7161 6064 - 444  
info@osg-germany.de

#### **OSG SCANDINAVIA**

(For Scandinavian countries)  
Langebjergvaenget 16  
4000 Roskilde - Denmark  
Tel: +45 46 75 65 55  
Fax: +45 46 75 67 00  
osg@osg-scandinavia.com

#### **SWEDEN**

Branch office of OSG SCANDINAVIA  
Singelgatan 7  
212 28 Malmö - Sweden  
Tel: +46 40 41 22 55  
osg@osg-scandinavia.com

#### **OSG IBERICA**

Bekolarra 4  
E - 01010 Vitoria-Gasteiz - Spain  
Tel: +34 945 242 400  
Fax: +34 945 228 883  
osg.iberica@osg-ib.com

#### **RUSSIA**

Butlerova street, 17B, office 5069  
117342 Moscow - Russia  
Tel: +7 (495) 150 41 54  
info@osg-russia.com

#### **OSG TURKEY**

Rami Kişla Cad.No:56 Eyüp  
Istanbul 34056 - Turkey  
Tel:+90 212 565 24 00  
Fax: +90 212 565 44 00  
info@osg-turkey.com

#### **ROMSAN INTERNATIONAL CO. SRL**

Reprezentant Exclusiv OSG  
25C, Bucuresti-Magurele Street  
051431 Bucuresti - România  
Tel: +40 21 322 07 47  
Fax: +40 21 321 56 00  
romsan.int@romsan.ro

#### **AUSTRIA**

Branch office of OSG GERMANY  
Messestraße 11  
A-6850 Dornbirn  
Tel: +49 7161 6064-0  
Fax: +49 7161 6064-444  
info@osg-germany.de

#### **OSG ITALIA**

Via Ferrero, 65 A/B3  
I - 10098 Rivoli - Italy  
Tel: +39 0117705211  
Fax: +39 0117705215  
info@osg-italia.it

#### **Vischer & Bolli AG**

Machining and Workholding  
Im Schossacher 17  
CH-8600 Dübendorf  
T +41 44 802 15 15  
F +41 44 802 15 95  
info@vb-tools.com

**OSG EUROPE LOGISTICS S.A.**

10/2021 - All rights reserved. © OSG Europe 2021.

The contents of this catalogue are provided to you for viewing only. They are not intended for reproduction either in part or in whole in this or other medium. They cannot be copied, used to create derivation work or used for any reason, by means without the express, written permission of the copyright owner. If prices are stated, they are netto unit-prices and any eventual tax(es) have to be added. The company is not responsible for any printing error in technical, price and/or any other data.

Tool specifications subject to change without notice.

[www.osgeurope.com](http://www.osgeurope.com)

