



Thread milling without pre-drilled hole

WH(O)-EM-PNC

Volume 2

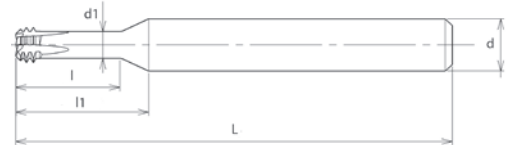


FEATURES: WH(O)-EM-PNC



WH-EM-PNC

Threading | Thread milling | Metric | Metric Fine



- Thread milling without pre-drilled hole
- WXS coating
- Left-hand (spindle rotation left)
- Direction of tool feed: right
- 4 flutes, strong & negative rake angle

P ○ C < 0,2%	P ○ 0,25 < C < 0,4	P ○ C > 0,45%	P ○ SCM	M ○ INOX	K ○ GG	K ○ GGG	N ○ Al	N ○ AC,ADC	S ● Ti	S ● Ni	H ● 25-45 HRC	H ● 45-55 HRC	H ● 55-65 HRC	
40-100	40-100	40-100	40-100	40-100	40-120	40-100	40-100	40-160	40-80	40-80	40-100	30-80	30-50	m/min
0,01~0,03	0,01~0,03	0,01~0,03	0,01~0,03	0,01~0,03	0,01~0,1	0,01~0,05	0,01~0,05	0,01~0,1	0,01~0,03	0,01~0,03	0,01~0,03	0,01~0,03	0,01~0,03	mm/t

M MF CARBIDE WXS h6 LH

EDP	Old EDP	M	P	L	l	l1	d1	d	Z	Price
48347003	T1606081	3	0,5	50	7,5	12,3	1,70	6	4	
48347004	T1606082	4	0,7	50	9,9	14,2	2,18	6	4	
48347005	T1606083	5	0,8	50	12	15,5	2,97	6	4	
48347006	T1606084	6	1	50	14,5	17,5	3,36	6	4	
48347008	T1606085	8	1,25	70	19,2	24,1	4,66	10	4	
48347010	T1606086	10	1,5	70	23,7	27,7	5,78	10	4	
48347012	T1606087	12	1,75	80	28,4	31,4	6,92	10	4	

WHO-EM-PNC NEW

Threading | Thread milling | Metric | Metric Fine



- With internal coolant

P ○ C < 0,2%	P ○ 0,25 < C < 0,4	P ○ C > 0,45%	P ○ SCM	M ○ INOX	K ○ GG	K ○ GGG	N ○ Al	N ○ AC,ADC	S ● Ti	S ● Ni	H ● 25-45 HRC	H ● 45-55 HRC	H ● 55-65 HRC	
40-100	40-100	40-100	40-100	40-100	40-120	40-100	40-100	40-160	40-80	40-80	40-100	30-80	30-50	m/min
0,01~0,03	0,01~0,03	0,01~0,03	0,01~0,03	0,01~0,03	0,01~0,1	0,01~0,05	0,01~0,05	0,01~0,1	0,01~0,03	0,01~0,03	0,01~0,03	0,01~0,03	0,01~0,03	mm/t

M MF CARBIDE WXS h6 LH

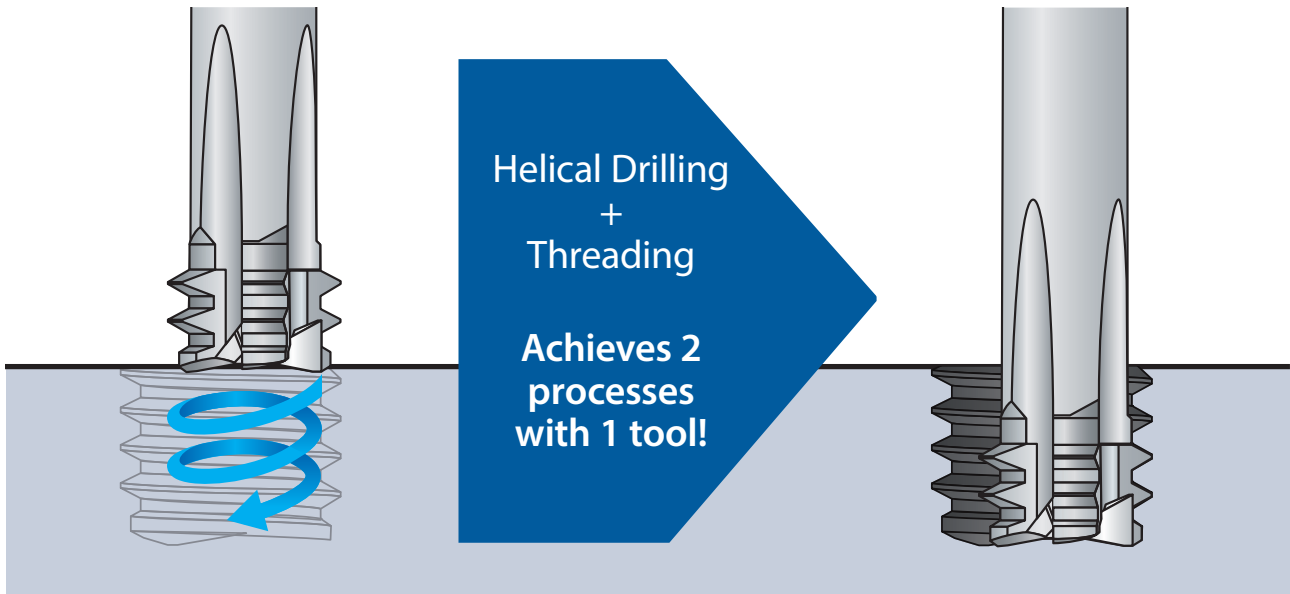
EDP	M	P	L	l	l1	d1	d	Z	Price
48348003	3	0,5	50	7,5	12,3	1,7	6	4	
48348004	4	0,7	50	9,9	14,2	2,18	6	4	
48348005	5	0,8	50	12	15,5	2,97	6	4	
48348006	6	1	50	14,5	17,5	3,36	6	4	
48348008	8	1,25	70	19,2	24,1	4,66	10	4	
48348010	10	1,5	70	23,7	27,7	5,78	10	4	
48348012	12	1,75	80	28,4	31,4	6,92	10	4	
48348014	14	2	90	33	37,9	6,62	12	4	
48348016	16	2	90	37	39,5	9,36	12	4	

Threading | Thread milling



WH(O)-EM-PNC: THREAD MILL WITH END-CUTTING EDGE FOR HIGH HARDNESS STEELS

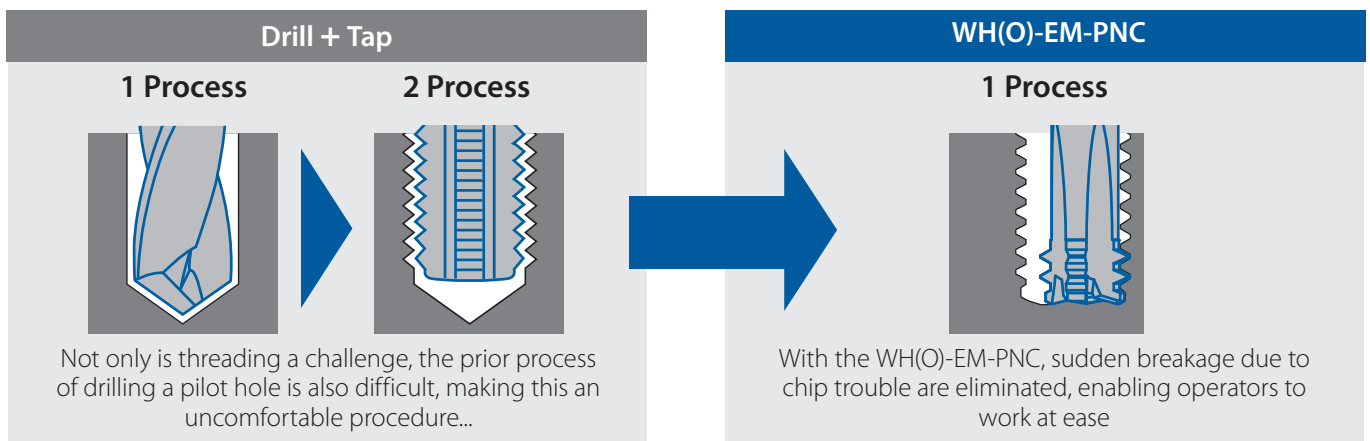
No pilot hole is required!
Stable machining without chip trouble



Threading | Thread milling

WH(O)-EM-PNC: IDEAL FOR HIGHLY DIFFICULT HIGH HARDNESS STEEL APPLICATIONS!

Helical drilling + threading can be done simultaneously, which reduces the risk of potential machining problems in the processing of high hardness steels



The risk of sudden tool breakage can be minimized by breaking chips into small and manageable pieces and evacuating them smoothly. Since no pilot hole is required, process integration and the risk of breakage can be avoided.

CUTTING DATA

Tool	WH-EM-PNC M4
Work Material	1.2379 (Cold work tool steel) 60HRC
Cutting speed	30 m/min (3.082 min ⁻¹)
Feed	123 mm/min (0.01 mm/t)
Depth of cut	8 mm
Coolant	Airblow
Machine	Exeron HSC600
Interface	HSK-40
Holder	Shrink holder
Hole type	Blind hole

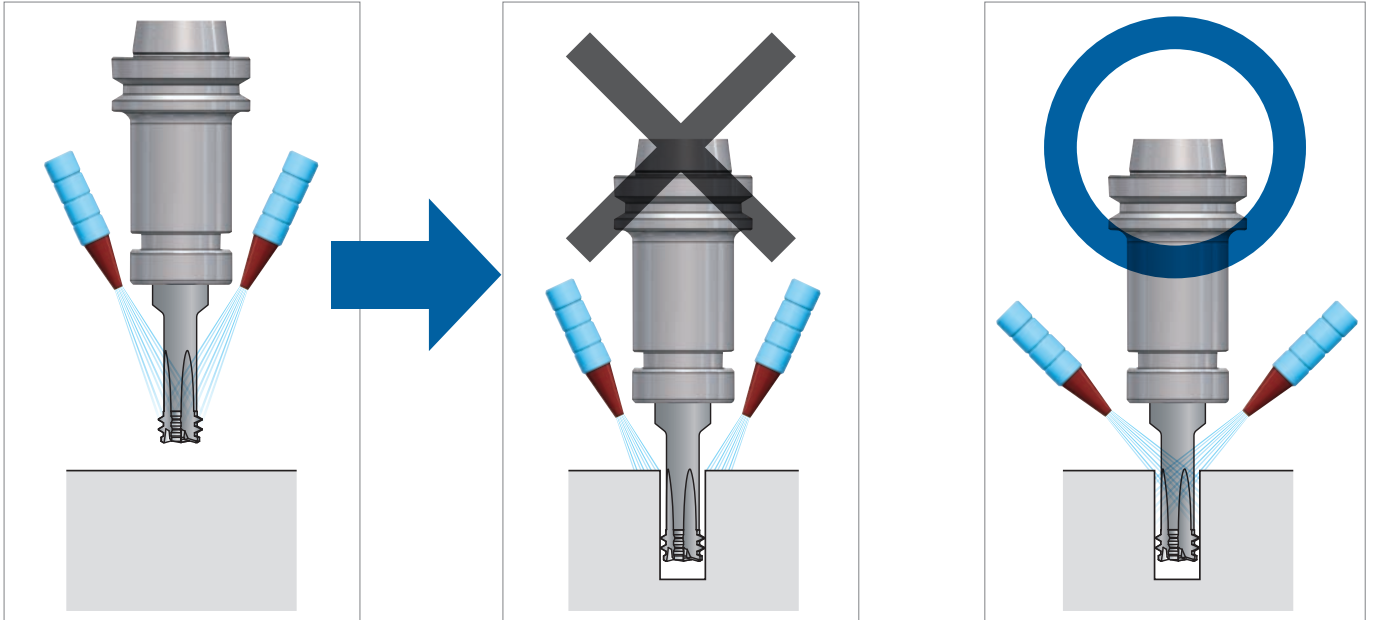
Tool	WH-EM-PNC M4
Work Material	1.6582 (Alloy engineering steel) 1400-1550 N/mm ²
Cutting speed	50 m/min (5.137 min ⁻¹)
Feed	205 mm/min (0.01 mm/t)
Depth of cut	9 mm
Coolant	Airblow
Machine	Hermle C32U
Interface	HSK63-A
Holder	Hydraulic chuck
Hole type	Blind hole

Tool	WH-EM-PNC M4
Work Material	Vanadis (Cold work steel) 64HRC
Cutting speed	30 m/min (3.082 min ⁻¹)
Feed	123 mm/min (0.01 mm/t)
Depth of cut	8 mm
Coolant	Airblow
Machine	n.a.
Interface	n.a.
Holder	Shrink holder
Hole type	Blind hole



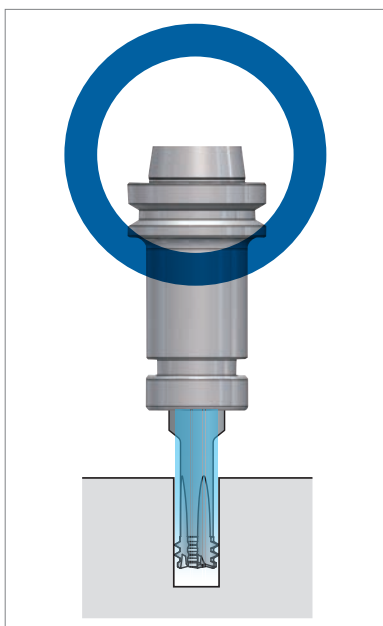
PROPER USAGE OF COOLANT

When using external coolant, ensure that the cutting fluid is properly positioned so that it is supplied into the hole.



Threading | Thread milling

If you are using a machining center with a through-spindle coolant system, the use of coolant through collet is recommended, or use WHO-EM-PNC



Please refer to the following table to select a suitable coolant for cutting.

Work Material	WH(O)-EM-PNC	
	Air Blow	Water-Soluble
High-hardness steel	◎	△
General steel	×	◎

◎ : Best
 △ : Shortening of tool life
 × : Not recommended

Water-soluble cutting fluids can be used with satisfactory result, although in some cases the durability is inferior to air-blow.

SUPPORT TOOLS FOR YOUR THREAD MILLING NEEDS

Troubled by the following problems?

Unsure of diameter correction value. Increase passes which results in longer setup time.

Visibility of internal thread pitch diameter at entry enables the reduction of passes to minimize setup time significantly.

Moreover, the DCT is able to measure pitch diameter smaller than the tolerance limit. The DCT can measure the pitch diameter of the female internal thread even if it does not fit into the Go-Gauge.

An incorrect diameter correction that result in a defective internal thread (gauge-out).

Visibility of internal thread pitch diameter at entry enables reliable diameter corrections.

The DCT is useful for reducing defective workpieces.

Unstable tool life

Digitized measurement ensures consistent internal thread pitch diameters after tool changes. The same starting and finishing position ensures consistent and stable tool life.

Solved with the Diameter Correction Tool DCT

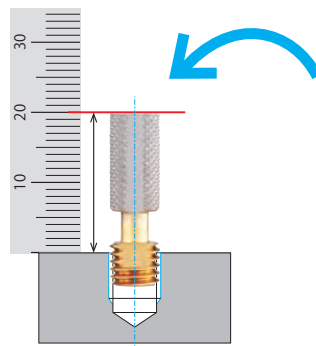
DCT

Simple measurement of pitch diameter by visual judgment



DCT75

Low-cost type
Measurement and calculation system



High-performance type
Digital display system

Eliminate measurement and calculation with the combination of a digital display.



shaping your dreams

OSG EUROPE LOGISTICS

Avenue Lavoisier 1
B-1300 Z.I. Wavre - Nord - Belgium
Tel: +32 10 23 05 07
Fax: +32 10 23 05 51
info@osgeurope.com

OSG BELUX

Avenue Lavoisier 1
B-1300 Z.I. Wavre - Nord - Belgium
Tel: +32 10 23 05 11
Fax: +32 10 23 05 31
info@osg-belgium.com

OSG FRANCE

Parc Icade, Paris Nord 2
Immeuble "Le Rimbaud"
22 Avenue des Nations
CS66191 - 93420 Villepinte - France
Tel: +33 1 49 90 10 10
Fax: +33 1 49 90 10 15
sales@osg-france.com

OSG NETHERLANDS

Bedrijfsweg 5 - 3481 MG Harmelen
Tel: +31 348 44 2764
Fax: +31 348 44 2144
info@osg-nl.com

OSG UK

Shelton house, 5 Bentalls
Pipps Hill Ind Est, Basildon Essex SS14 3BY
Tel: +44 1268 567 660
Fax: +44 1268 567 661
UK_sales@osg-uk.com

CZECH, SLOVAKIA, HUNGARY

OSG Europe Logistics S.A.
Slovakia organizacna zlozka
Racianská 22/A, SK-83102 Bratislava
Slovakia
Tel. +421 24 32 91 295
Orders-osgsvk@osgeurope.com

OSG POLAND Sp. z.o.o.

Spółdzielcza 57
05-074 Halinów - Poland
Tel: +22 760 82 71
Fax: +22 760 82 71
osg@osg-poland.com

OSG GERMANY

Karl-Ehmann-Str. 25
D - 73037 Göppingen - Germany
Tel: +49 7161 6064 - 0
Fax: +49 7161 6064 - 444
info@osg-germany.de

OSG SCANDINAVIA

(For Scandinavian countries)
Langebjergvaenget 16
4000 Roskilde - Denmark
Tel: +45 46 75 65 55
Fax: +45 46 75 67 00
osg@osg-scandinavia.com

SWEDEN

Branch office of OSG SCANDINAVIA
Abrahams Gränd 8
295 35 Bromölla - Sweden
Tel: +46 40 41 22 55
Fax: +46 40 41 32 55
osg@osg-scandinavia.com

OSG IBERICA

Bekolarra 4
E - 01010 Vitoria-Gasteiz - Spain
Tel: +34 945 242 400
Fax: +34 945 228 883
osg.iberica@osg-ib.com

RUSSIA

Butlerova street, 17B, office 5069
117342 Moscow - Russia
Tel: +7 (495) 150 41 54
info@osg-russia.com

OSG TURKEY

Rami Kişla Cad.No:56 Eyüp
Istanbul 34056 - Turkey
Tel:+90 212 565 24 00
Fax: +90 212 565 44 00
info@osg-turkey.com

ROMSAN INTERNATIONAL CO. SRL

Reprezentant Exclusiv OSG
25C, Bucuresti-Magurele Street
051431 Bucuresti - România
Tel: +40 21 322 07 47
Fax: +40 21 321 56 00
romsan.int@romsan.ro

AUSTRIA

Branch office of OSG GERMANY
Messestraße 11
A-6850 Dornbirn
Tel: +49 7161 6064-0
Fax: +49 7161 6064-444
info@osg-germany.de

OSG ITALIA

Via Ferrero, 65 A/B
I - 10098 Rivoli - Italy
Tel: +39 0117705211
Fax: +39 0117705215
info@osg-italia.it

Vischer & Bolli AG

Machining and Workholding
Im Schossacher 17
CH-8600 Dübendorf
T +41 44 802 15 15
F +41 44 802 15 95
info@vb-tools.com

OSG EUROPE LOGISTICS S.A.

10/2020 - All rights reserved. © OSG Europe 2020.

The contents of this catalogue are provided to you for viewing only. They are not intended for reproduction either in part or in whole in this or other medium. They cannot be copied, used to create derivation work or used for any reason, by means without the express, written permission of the copyright owner. If prices are stated, they are netto unit-prices and any eventual tax(es) have to be added. The company is not responsible for any printing error in technical, price and/or any other data.

Tool specifications subject to change without notice.

www.osgeurope.com