



Tap Holder

# SYNCHROMASTER

Vol.2



Polygon Taper Shank  
5 new sizes added

# KEY FEATURES: SYNCHROMASTER

**1** Enables accurate depth control  
Achieves stable performance even with difficult small chamfer

**3** Prevents sudden breakage

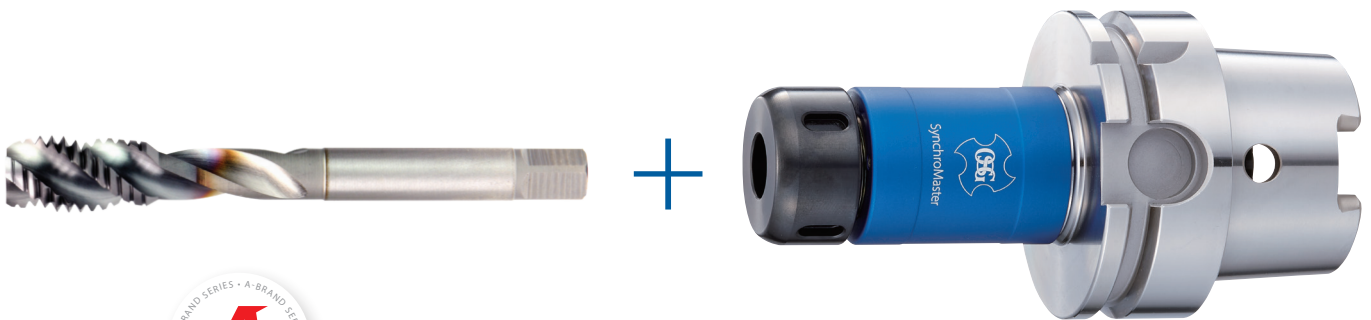
**2** Improves thread quality

**4** Prolongs tool life

**5** The combination of SynchroMaster and synchronous feed machines brings out the best of your A-TAP tools

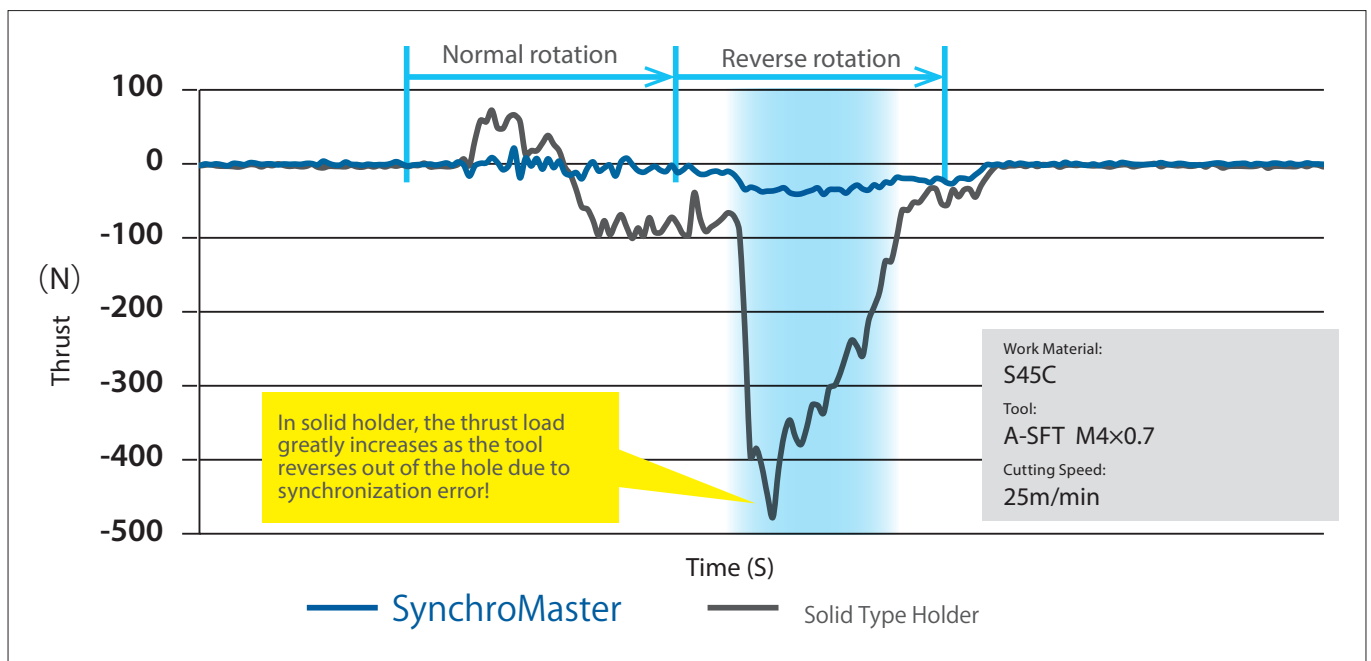


# SYNCHROMASTER TAP HOLDER



## A-TAP & SYNCHROMASTER THE BEST SOLUTION

SynchroMaster reduces axial and radial forces to enable the A-Tap series to reach its maximum potential !



Machine	Holder	Tap (example)	Recommendation
Machine with synchronous feed mechanism	SynchroMaster	A-TAP (A-SFT, A-POT, S-XPF)	●
		General purpose tap (EX-SFT, TIN-POT)	○

Synchro Tap is recommended to be used in combination with a solid holder and machine with synchronous feed mechanism

●: Best ○: Good



# SYNCHROMASTER TAP HOLDER

## The secret lies in its integrated single unit construction!

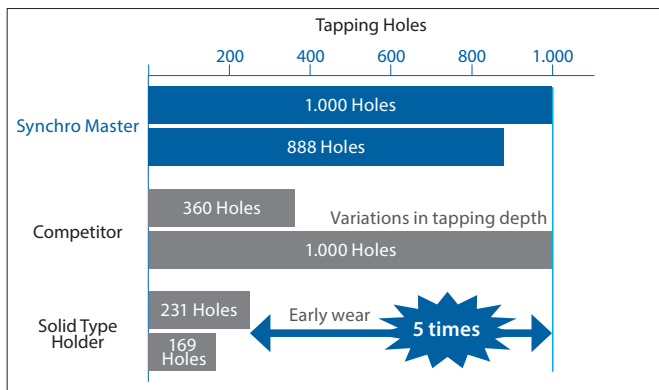
- Original metal flexure mechanism enables long tool life
- Ultra-small float mechanism ensures consistent tapping depth



- Disadvantages of General micro float holder
- Float mechanism that allows the 2-piece body construction with resin or rubber type damper to move in the thrust direction
  - Early degradation of the damper mechanism
  - Requires maintenance

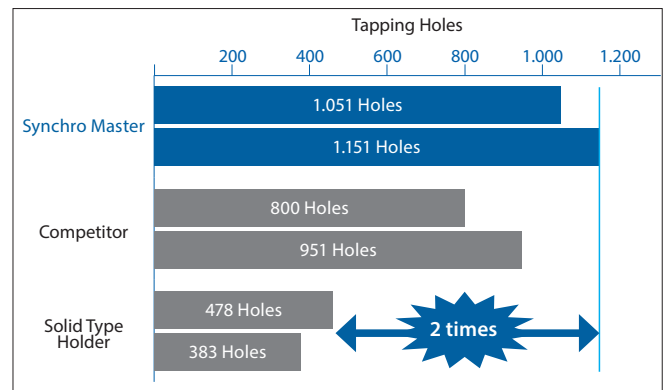
## Long tool life

Stable performance even with difficult short chamfer



Work Material: S45C Tool: A-SFT M4x0.7 1P Cutting Speed: 10m/min

Durability of forming taps can also be improved



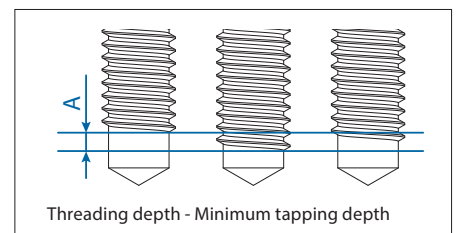
Work Material: SCM440 (30HRC) Tool: S-XPf M10x1.5 2P Cutting Speed: 15m/min

## Suppresses variations in tapping depth

Achieves high precision tapping depth comparable to solid type holder

Holder	Tap (example)
SynchroMaster	0.10 mm
Competitor	0.20 mm
Solid Type Holder	0.07 mm

Work Material: S45C Tool: S-XPf M10x1,5 2P Cutting Speed: 22m/min



SynchroMaster (Holder+Nut)



Collet (Sold separately)



Spanner (Sold separately)



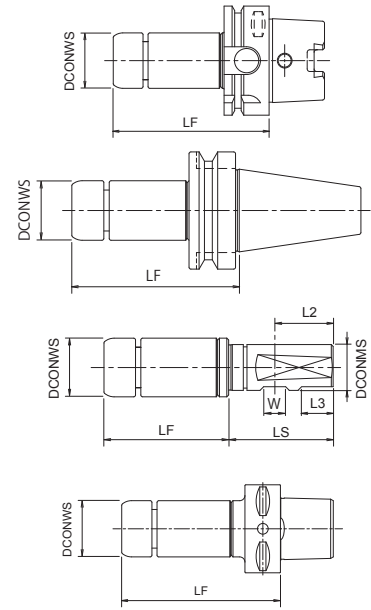
# SYNCHROMASTER NEW SIZES

Threading | Holder | SynchroMaster



Polygon Taper Shank Holder

- Tap holder synchronized
- Improve the tool life
- For tapping sizes from M3 to M24
- HSK & BT type for ER16, ST & Polygon Taper Shank Type for ER16 & ER32 collet



EDP	Designation	LF	LS	DCONWS	DCONMS	L2	L3
79912	HSK40A-SMH16-85	85	-	32	-	-	-
79913	HSK63A-SMH16-90	90	-	32	-	-	-
79910	BT30-SMH16-90	90	-	32	-	-	-
79911	BT40-SMH16-90	90	-	32	-	-	-
79924	ST20D-SMH16-68	68	51	32	20	25	-
79925	ST25D-SMH16-68	68	57	32	25	32	17
48329004	ST20D-SMH32-87	87	51	50	20	25	-
48329002	ST25D-SMH32-87	87	57	50	25	32	17
79994	C4-SMH16-90A	90	-	32	-	-	-
79995	C5-SMH16-90A	90	-	32	-	-	-
79996	C6-SMH16-90A	90	-	32	-	-	-
79997	C5-SMH32-120A	120	-	50	-	-	-
79998	C6-SMH32-120A	120	-	50	-	-	-

## Accessories and spare parts

Applicable	EDP	Designation	Specification
SMH16	79923	FKT-32L	Wrench
SMH16	79922	ERP-16T	Cap Nut
SMH32	79993	FKT-50L	Wrench
SMH32	79992	ERP-32T	Cap Nut





[www.osgeurope.com](http://www.osgeurope.com)





*shaping your dreams*

#### **OSG EUROPE LOGISTICS**

Avenue Lavoisier 1  
B-1300 Z.I. Wavre - Nord - Belgium  
Tel: +32 10 23 05 07  
info@osgeurope.com

#### **OSG POLAND Sp. z o.o.**

Spółdzielcza 57  
05-074 Halinów - Poland  
Tel: +22 760 82 71  
osg@osg-poland.com

#### **OSG ROMANIA SRL**

25C, Bucuresti-Magurele Street (Sector 5)  
051431 Bucuresti - România  
Tel: +40 21 322 07 47  
info@osgromania.ro

#### **OSG BELUX**

Avenue Lavoisier 1  
B-1300 Z.I. Wavre - Nord - Belgium  
Tel: +32 10 23 05 11  
info@osg-belgium.com

#### **OSG GERMANY**

Karl-Ehmann-Str. 25  
D - 73037 Göppingen - Germany  
Tel: +49 7161 6064 - 0  
Fax: +49 7161 6064 - 444  
info@osg-germany.de

#### **AUSTRIA**

Branch office of OSG GERMANY  
Messestraße 11  
A-6850 Dornbirn  
Tel: +49 7161 6064-0  
info@osg-germany.de

#### **OSG FRANCE**

Parc Icade, Paris Nord 2  
Immeuble "Le Rimbaud"  
22 Avenue des Nations  
CS66191 - 93420 Villepinte - France  
Tel: +33 1 49 90 10 10  
sales@osg-france.com

#### **OSG SCANDINAVIA**

(For Scandinavian countries)  
Langebjergvaenget 16  
4000 Roskilde - Denmark  
Tel: +45 46 75 65 55  
osg@osg-scandinavia.com

#### **OSG ITALIA**

Via Ferrero, 65 A/B3  
I - 10098 Rivoli - Italy  
Tel: +39 0117705211  
info@osg-italia.it

#### **OSG NETHERLANDS**

Bedrijfsweg 5 - 3481 MG Harmelen  
Tel: +31 348 44 2764  
info@osg-nl.com

#### **SWEDEN**

Branch office of OSG SCANDINAVIA  
Singelgatan 7  
212 28 Malmö - Sweden  
Tel: +46 40 41 22 55  
osg@osg-scandinavia.com

#### **Vischer & Bolli AG**

Machining and Workholding  
Im Schossacher 17  
CH-8600 Dübendorf  
T +41 44 802 15 15  
info@vb-tools.com

#### **OSG UK**

Kelsey Close, Attleborough Fields Ind Est,  
CV11 6RS, Nuneaton, United Kingdom.  
Tel: +44 1827 720 013  
uk\_sales@osg-uk.com

#### **OSG IBERICA**

Bekolarra 4  
E - 01010 Vitoria-Gasteiz - Spain  
Tel: +34 945 242 400  
osg.iberica@osg-ib.com

#### **CZECH, SLOVAKIA, HUNGARY**

OSG Europe Logistics S.A.  
Slovakia organizacna zlozka  
Racianská 22/A, SK-83102 Bratislava  
Slovakia  
Tel. +421 24 32 91 295  
Orders-osgsvk@osgeurope.com

#### **OSG TURKEY**

Rami Kışla Cad.No:56 Eyüp  
Istanbul 34056 - Turkey  
Tel+90 212 565 24 00  
Fax: +90 212 565 44 00  
info@osg-turkey.com

**OSG EUROPE LOGISTICS S.A.**

06/2024- All rights reserved. © OSG Europe 2024.

The contents of this catalogue are provided to you for viewing only. They are not intended for reproduction either in part or in whole in this or other medium. They cannot be copied, used to create derivation work or used for any reason, by means without the express, written permission of the copyright owner. If prices are stated, they are netto unit-prices and any eventual tax(es) have to be added. The company is not responsible for any printing error in technical, price and/or any other data.

Tool specifications subject to change without notice.

[www.osgeurope.com](http://www.osgeurope.com)