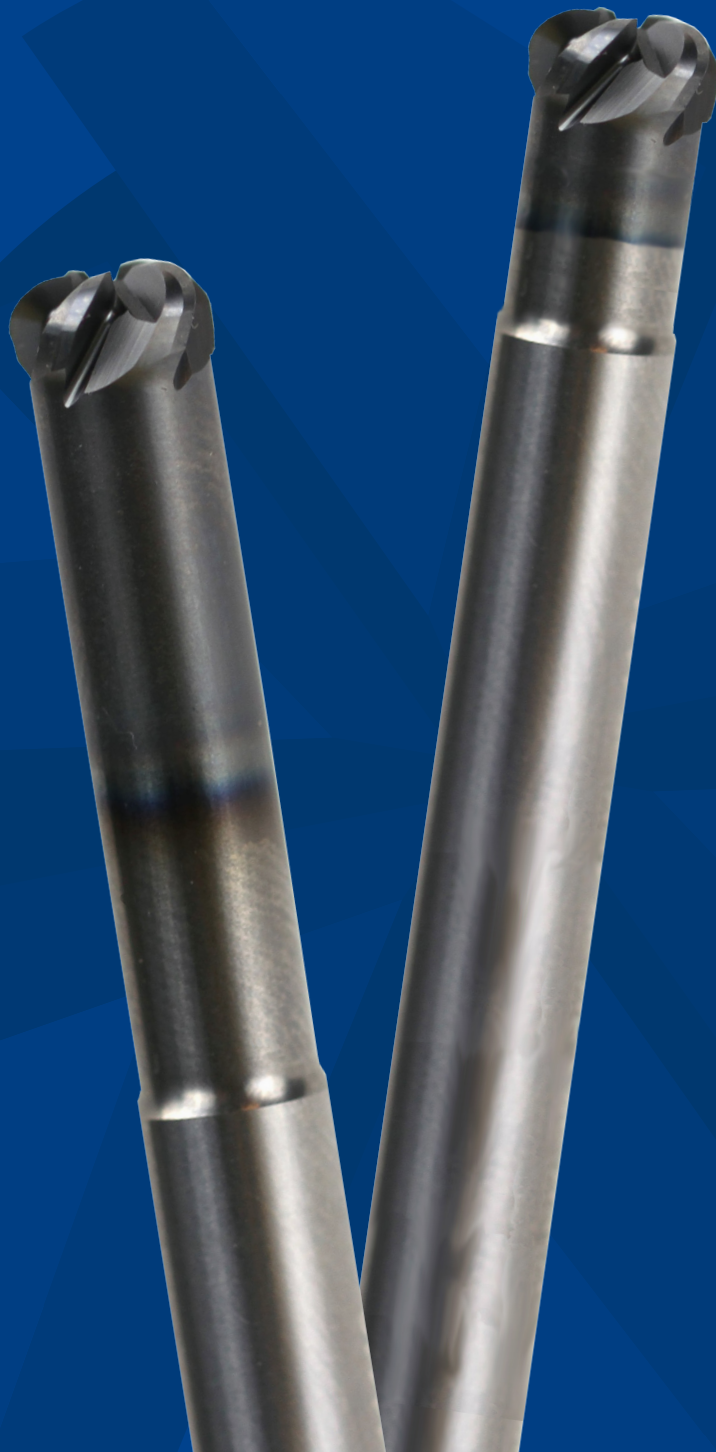




Corner radius end mills for hardened materials up to and over 65 HRC

WXS-(HS)-CRE

Volume 3.1



KEY FEATURES: WXS-(HS)-CRE



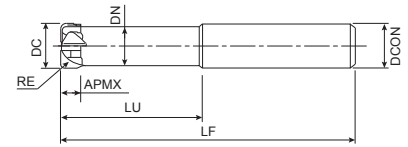
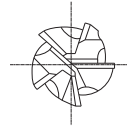
1 Multi flute with super radius

2 WXS coating

3 For hardened steels up to 65 HRC
and stainless steels

WXS-HS-CRE NEW SIZES

Milling | Solid carbide



- Carbide end mill with WXS coating
- For hardened steels up to 65 HRC
- 5 flutes, shorter overall length, super radius

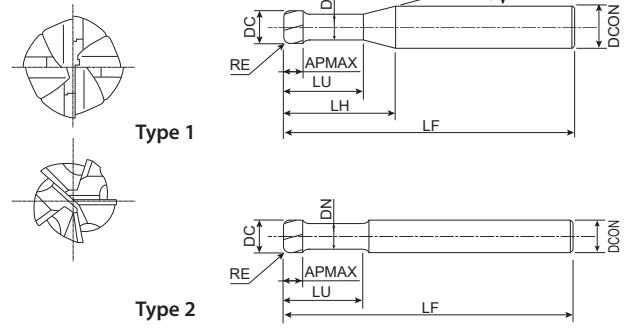


EDP	ZEFP	DC	RE	LU	LF	APMX	DCON	DN
48107267 <small>NEW</small>	5	6	1,5	12	50	2,4	6	5,4
48107367 <small>NEW</small>	5	6	1,5	18	50	2,4	6	5,4
48107467	5	6	1,5	24	50	2,4	6	5,4
48107289 <small>NEW</small>	5	8	2	16	60	3,2	8	7,2
48107389 <small>NEW</small>	5	8	2	24	60	3,2	8	7,2
48107489	5	8	2	32	60	3,2	8	7,2
48107209 <small>NEW</small>	5	10	2	20	70	4	10	9
48107309 <small>NEW</small>	5	10	2	30	70	4	10	9
48107509	5	10	2	40	70	4	10	9
48107233 <small>NEW</small>	5	12	3	24	80	4,8	12	11
48107333 <small>NEW</small>	5	12	3	36	80	4,8	12	11
48107533	5	12	3	48	80	4,8	12	11



WXS-CRE

Milling | Solid carbide



- Carbide end mill with WXS coating
- For hardened steels up to 65 HRC
- Multi flute with super radius



EDP	ZEFP	DC	RE	LU	LH	LF	APMX	DCON	DN	Type
48106421	4	2	0,5	8	15,8	50	0,8	6	1,8	1
48106433	5	3	0,75	12	17,9	55	1,3	6	2,7	1
48106445	5	4	1	12	16	55	1,6	6	3,6	1
48106467	5	6	1,5	12	-	90	2,4	6	5,4	2
48106489	5	8	2	16	-	100	3,2	8	7,2	2
48106509	5	10	2	20	-	100	4	10	9	2
48106533	5	12	3	24	-	110	4,8	12	11	2

Milling | Solid carbide

CUTTING CONDITIONS

Milling | Endmills | Cutting conditions

WXS-CRE / WXS-HS-CRE

Regular milling

Ø	GG		30~38 HRC NAK55 • HPM1 • SKT • SKD		38~45 HRC SUS304 • SKD • HPM50 NAK80		45~55 HRC		55~60 HRC		60~ HRC	
	S (min ⁻¹)	F (mm/min)	S (min ⁻¹)	F (mm/min)	S (min ⁻¹)	F (mm/min)	S (min ⁻¹)	F (mm/min)	S (min ⁻¹)	F (mm/min)	S (min ⁻¹)	F (mm/min)
2 x R0,5	16.000	5.250	12.500	3.800	11.000	3.350	7.950	2.150	4.750	860	4.270	615
3 x R0,75	10.500	6.250	8.500	4.500	7.450	3.900	5.300	2.600	3.200	995	2.850	715
4 x R1	7.950	6.600	6.350	4.800	5.550	4.200	4.000	2.750	2.400	1.050	2.150	755
6 x R1,5	5.300	7.000	4.250	5.100	3.700	4.450	2.650	2.850	1.600	1.150	1.400	825
8 x R2	4.000	7.000	3.200	5.100	2.800	4.450	2.000	2.850	1.200	1.150	1.050	825
10 x R2	3.200	7.000	2.550	5.100	2.250	4.450	1.600	2.850	955	1.150	860	825
12 x R3	2.650	7.000	2.100	5.100	1.850	4.450	1.350	2.850	795	1.150	715	825

Max cutting depth			ap	ae
			RE≤2	0,2xRE 0,5D
			2<RE	0,5mm 0,5D

Max cutting depth			ap	ae
			RE≤2	0,2xRE 0,5D
			2<RE	0,4mm 0,5D

Max cutting depth			ap	ae
			RE≤2	0,1xRE 0,5D
			2<RE	0,2mm 0,5D

High speed side milling

Ø	GG		30~38 HRC NAK55 • HPM1 • SKT • SKD		38~45 HRC SUS304 • SKD • HPM50 NAK80		45~55 HRC		55~60 HRC		60~ HRC	
	S (min ⁻¹)	F (mm/min)	S (min ⁻¹)	F (mm/min)	S (min ⁻¹)	F (mm/min)	S (min ⁻¹)	F (mm/min)	S (min ⁻¹)	F (mm/min)	S (min ⁻¹)	F (mm/min)
2 x R0,5	31.850	10.500	32.000	9.550	24.000	7.150	24000	6.450	16.000	2.850	14.400	2.050
3 x R0,75	21.000	12.500	21.000	12.000	16.000	8.400	16.000	7.850	10.500	3.300	9.450	2.370
4 x R1	16.000	13.000	16.000	12.000	12.000	9.000	12.000	8.200	7.950	3.550	7.150	2.550
6 x R1,5	10.600	14.000	10.600	12.700	7.950	9.550	7.950	8.600	5.300	3.800	5.300	3.800
8 x R2	7.950	14.000	7.950	12.700	5.950	9.550	5.950	8.600	4.000	3.800	4.000	3.800
10 x R2	6.350	14.000	6.350	12.700	4.750	9.550	4.750	8.600	3.200	3.800	3.200	3.800
12 x R3	5.300	14.000	5.300	12.700	4.000	9.550	4.000	8.600	2.650	3.800	2.650	3.800

Max cutting depth			ap	ae
			0,1xR	0,3D

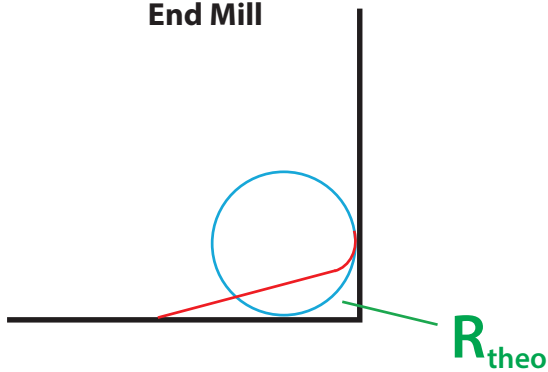
Max cutting depth			ap	ae
			R<2	0,1xR 0,3D
			2<R	0,2mm 0,3D

Max cutting depth			ap	ae
			R<2	0,05xR 0,3D
			2<R	0,1mm 0,3D

1. Use a rigid and precise machine and holder.
2. These milling conditions are based on milling with circular interpolation at corners. For milling without circular interpolation (such as right angle corners), reduce the speed to 50-70% and the cutting depth to 50-80% of the above conditions.
3. We suggest using air blow or MQL (mist).
4. Please adjust the speed, feed and cutting depth according to actual cutting conditions.
5. When WXS(CRE) enters in Z axis, reduce the feed speed to 30-60% of the above conditions with machining incline angle $\beta < 2^\circ$
6. These milling conditions are for a tool extension length: less than 4 x D. For a longer tool extension, reduce the speed, feed rate, and the cutting depth in accordance with the respective coefficients, to prevent chattering.

TECHNICAL FEATURES

High Feed
End Mill



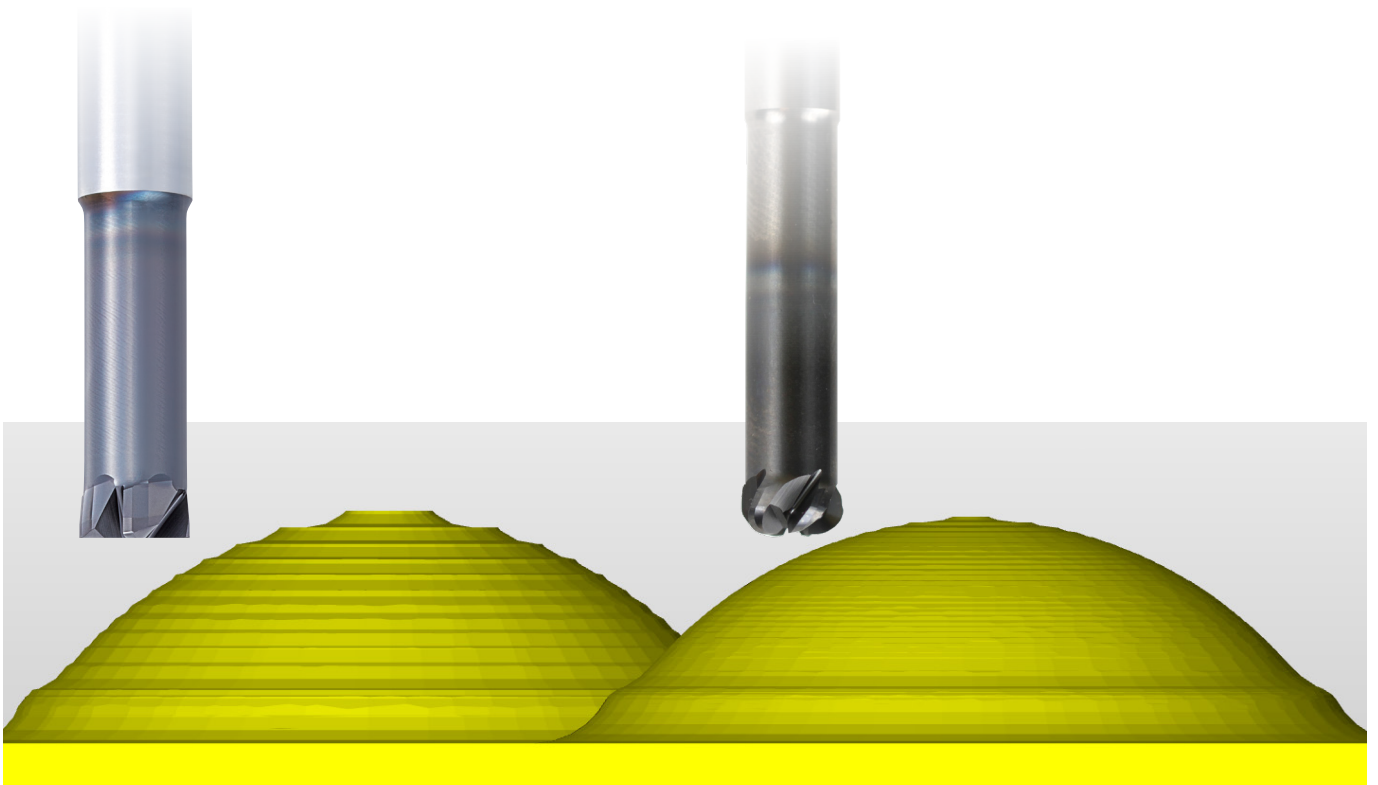
Due to its point geometry a high feed end mill does not produce a clearly defined corner radius on the work piece.

WXS-CRE



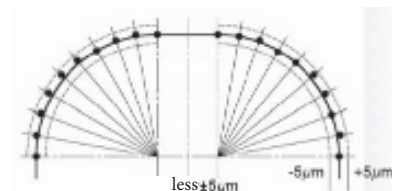
The WXS-CRE features a clearly defined corner radius.

Milling | Solid carbide



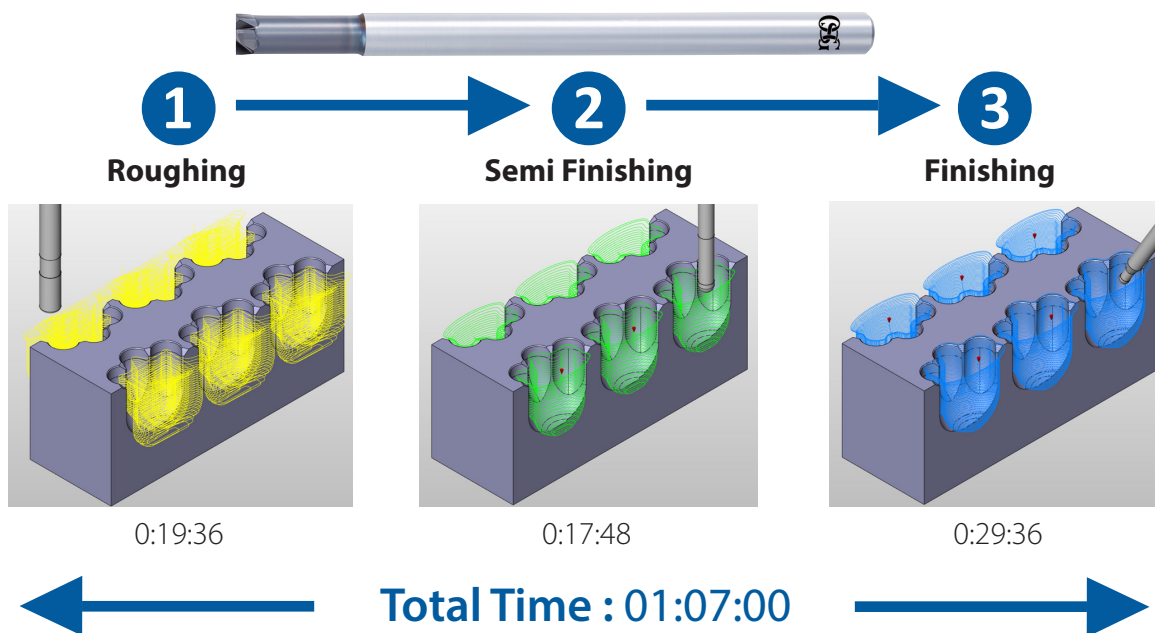
The WXS-CRE features a clearly defined corner radius and a tolerance like ball nose end mills used for finishing. OSG puts greatest emphasis on manufacturing the radii as precisely as possible over the entire contour to ensure maximum dimensional accuracy on the work piece, even in work environments where changing the tool working angle is not possible (e.g. 3-axis machines).

This results in an extremely precise surface even after the first roughing operation leaving very even residual material thus facilitating the follow up process. This eliminates the process of semi-roughing which results in enormous time saving!



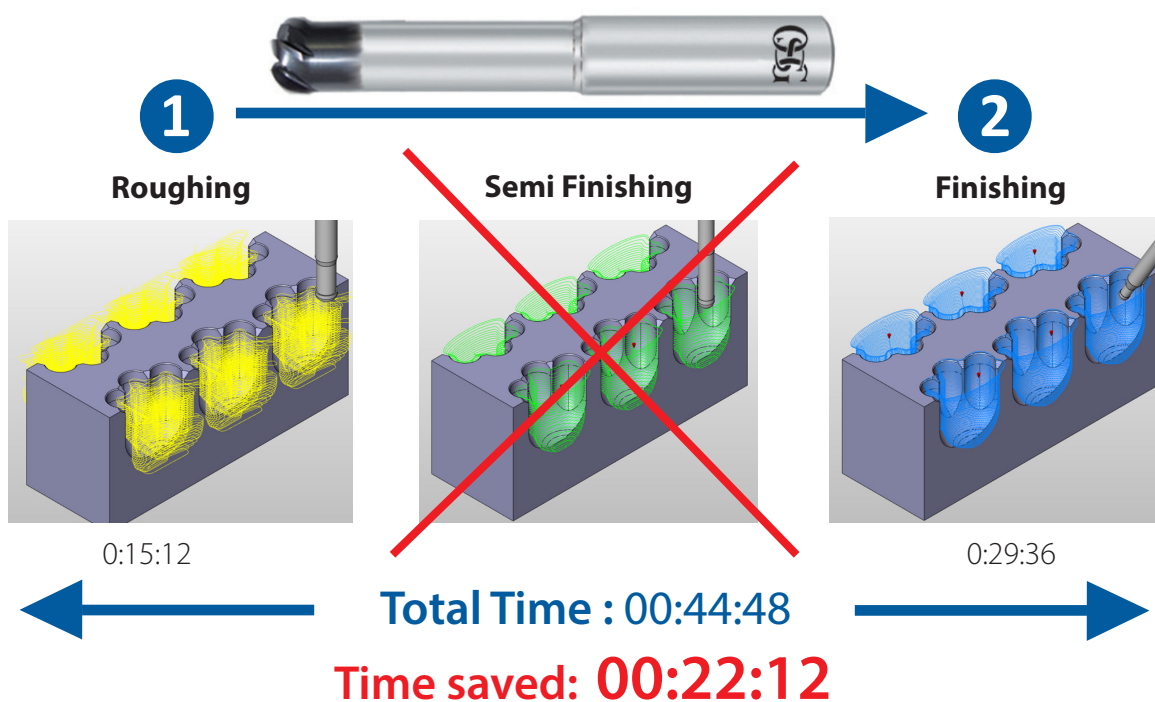
Work with: HFC

Conventional machining strategies require three steps to produce the finished contour.



Work with: WXS-CRE

The WXS-CRE produces a very high surface quality and smooth residual material even after roughing which eliminates semi-processes.



Milling | Solid carbide





shaping your dreams

OSG EUROPE LOGISTICS

Avenue Lavoisier 1
B-1300 Z.I. Wavre - Nord - Belgium
Tel: +32 10 23 05 07
info@osgeurope.com

OSG POLAND Sp. z o.o.

Spółdzielcza 57
05-074 Halinów - Poland
Tel: +22 760 82 71
osg@osg-poland.com

OSG ROMANIA SRL

25C, Bucuresti-Magurele Street (Sector 5)
051431 Bucuresti - România
Tel: +40 21 322 07 47
info@osgromania.ro

OSG BELUX

Avenue Lavoisier 1
B-1300 Z.I. Wavre - Nord - Belgium
Tel: +32 10 23 05 11
info@osg-belgium.com

OSG GERMANY

Karl-Ehmann-Str. 25
D - 73037 Göppingen - Germany
Tel: +49 7161 6064 - 0
Fax: +49 7161 6064 - 444
info@osg-germany.de

AUSTRIA

Branch office of OSG GERMANY
Messestraße 11
A-6850 Dornbirn
Tel: +49 7161 6064-0
info@osg-germany.de

OSG FRANCE

Parc Icade, Paris Nord 2
Immeuble "Le Rimbaud"
22 Avenue des Nations
CS66191 - 93420 Villepinte - France
Tel: +33 1 49 90 10 10
sales@osg-france.com

OSG SCANDINAVIA

(For Scandinavian countries)
Langebjergvaenget 16
4000 Roskilde - Denmark
Tel: +45 46 75 65 55
osg@osg-scandinavia.com

OSG ITALIA

Via Ferrero, 65 A/B3
I - 10098 Rivoli - Italy
Tel: +39 0117705211
info@osg-italia.it

OSG NETHERLANDS

Bedrijfsweg 5 - 3481 MG Harmelen
Tel: +31 348 44 2764
info@osg-nl.com

SWEDEN

Branch office of OSG SCANDINAVIA
Singelgatan 7
212 28 Malmö - Sweden
Tel: +46 40 41 22 55
osg@osg-scandinavia.com

Vischer & Bolli AG

Machining and Workholding
Im Schossacher 17
CH-8600 Dübendorf
T +41 44 802 15 15
info@vb-tools.com

OSG UK

Kelsey Close, Attleborough Fields Ind Est,
CV11 6RS, Nuneaton, United Kingdom.
Tel: +44 1827 720 013
uk_sales@osg-uk.com

OSG IBERICA

Bekolarra 4
E - 01010 Vitoria-Gasteiz - Spain
Tel: +34 945 242 400
osg.iberica@osg-ib.com

CZECH, SLOVAKIA, HUNGARY

OSG Europe Logistics S.A.
Slovakia organizacna zlozka
Racianská 22/A, SK-83102 Bratislava
Slovakia
Tel. +421 24 32 91 295
Orders-osgsvk@osgeurope.com

OSG TURKEY

Rami Kışla Cad.No:56 Eyüp
Istanbul 34056 - Turkey
Tel+90 212 565 24 00
Fax: +90 212 565 44 00
info@osg-turkey.com

OSG EUROPE LOGISTICS S.A.

11/2023 - All rights reserved. © OSG Europe 2023.

The contents of this catalogue are provided to you for viewing only. They are not intended for reproduction either in part or in whole in this or other medium. They cannot be copied, used to create derivation work or used for any reason, by means without the express, written permission of the copyright owner. If prices are stated, they are netto unit-prices and any eventual tax(es) have to be added. The company is not responsible for any printing error in technical, price and/or any other data.

Tool specifications subject to change without notice.

www.osgeurope.com

